



PACKOUT™ MODULAR STORAGE SYSTEM

ROLLING TOOL CHEST

48-22-8428



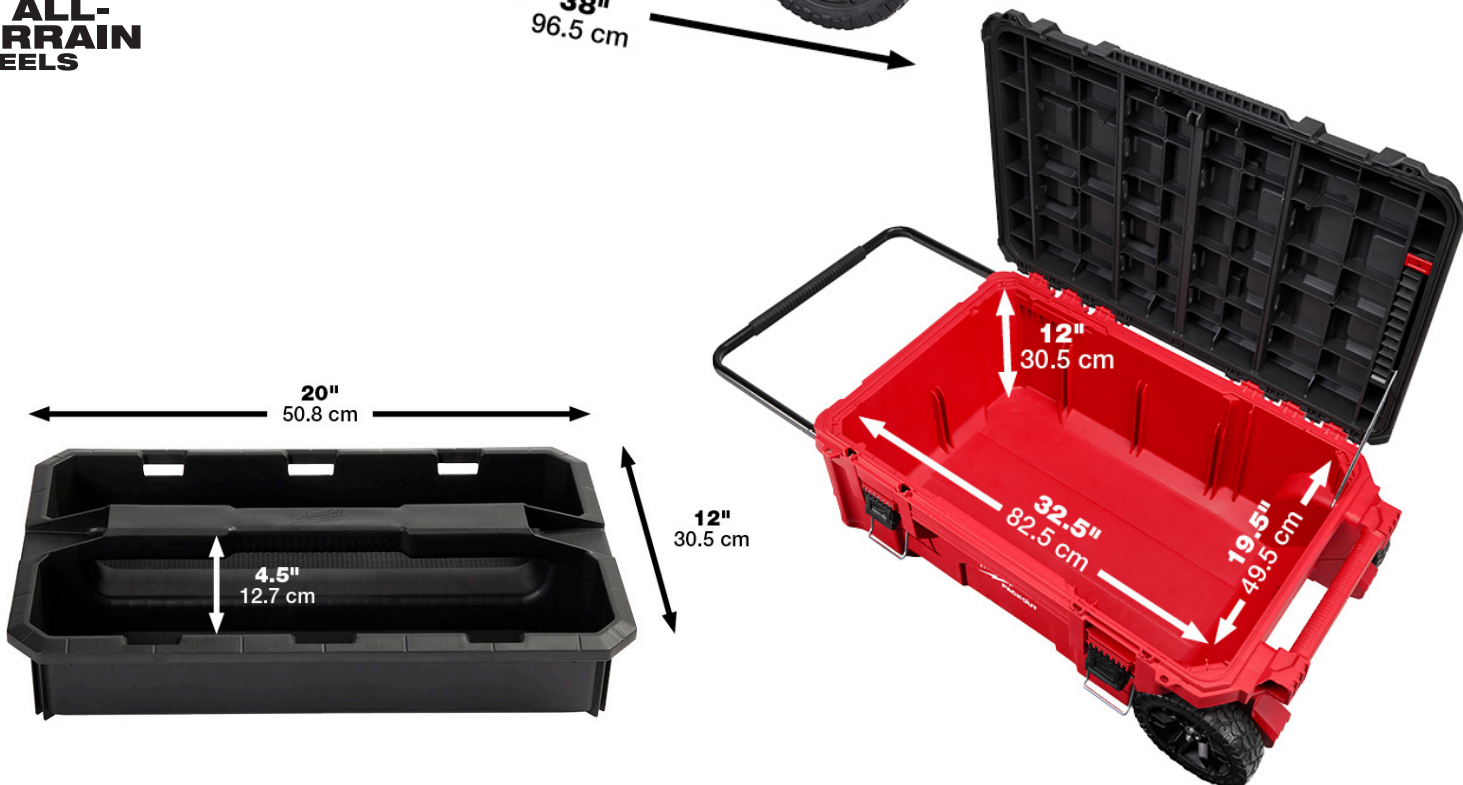
**DUAL
STACK TOP**



**250 LBS
CAPACITY**



**9" ALL-
TERRAIN
WHEELS**





PACKOUT™

MODULAR STORAGE SYSTEM

ROLLING TOOL BOX

48-22-8426



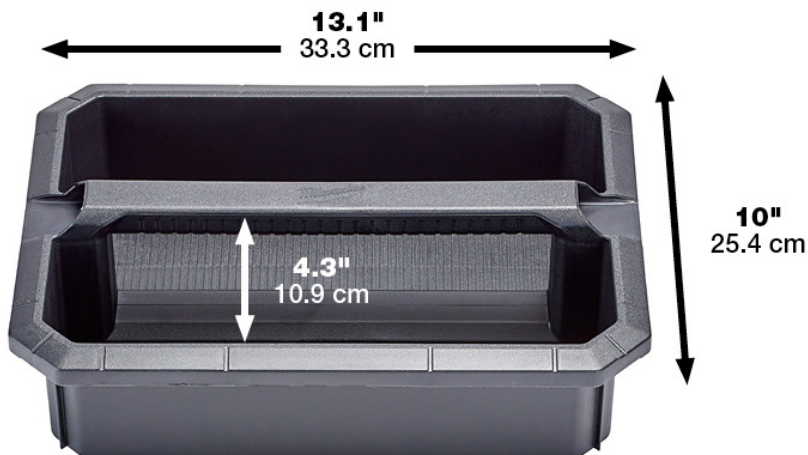
250 LBS
CAPACITY



IMPACT
RESISTANT
BODY



MOST
DURABLE
WHEELS



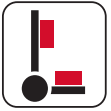


PACKOUT™

MODULAR STORAGE SYSTEM

2-WHEEL CART

48-22-8415



**STACK
OR HANG**



**400 LBS
CAPACITY**



**10"
FLAT-FREE
WHEELS**

48"
121.9 cm



48"
121.9 cm





PACKOUT™

MODULAR STORAGE SYSTEM

DOLLY

48-22-8410



250 LBS
CAPACITY



QUICKSTOP™
LOADING LEVER



SMOOTH
ROLL
WHEELS





PACKOUT™

MODULAR STORAGE SYSTEM

XL TOOL BOX

48-22-8429



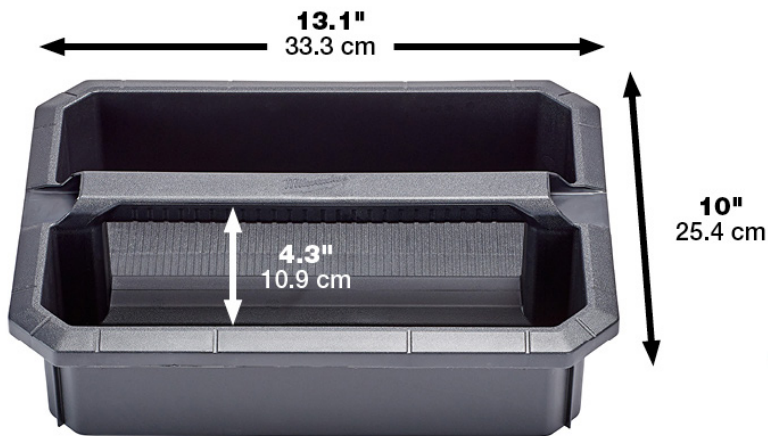
100 LBS
CAPACITY



IMPACT
RESISTANT
BODY



IP65
RATED
PROTECTION





PACKOUT™

MODULAR STORAGE SYSTEM

LARGE TOOL BOX

48-22-8425



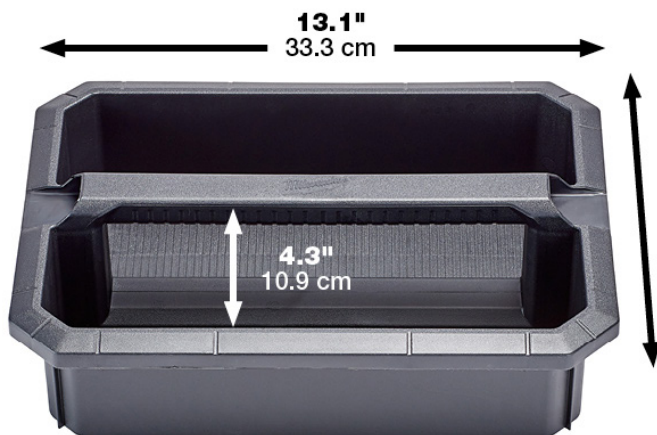
100 LBS
CAPACITY



IMPACT
RESISTANT
BODY



METAL-
REINFORCED
TOP HANDLE





PACKOUT™

MODULAR STORAGE SYSTEM

TOOL BOX

48-22-8424



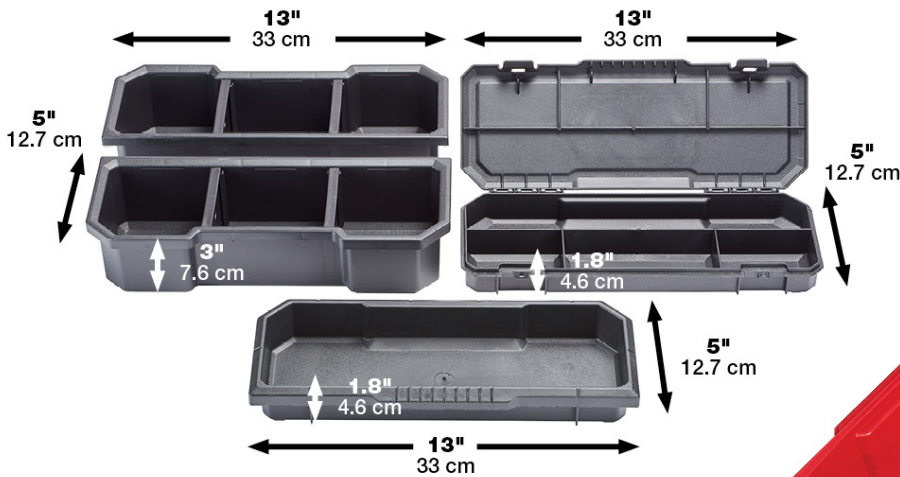
75 LBS
CAPACITY



IMPACT
RESISTANT
BODY



IP65
RATED
PROTECTION





PACKOUT™ MODULAR STORAGE SYSTEM

TOOL CASE WITH CUSTOMIZABLE INSERT

48-22-8450



**IMPACT
RESISTANT
BODY**



**IP65
RATED
PROTECTION**



**CUSTOMIZE
YOUR INSERT**





PACKOUT™

MODULAR STORAGE SYSTEM

CABINET

48-22-8445



**SECURE
HANG OR
STACK**



**QUICK
ACCESS
DOOR**



**IMPACT
RESISTANT
BODY**





PACKOUT™

MODULAR STORAGE SYSTEM

4-DRAWER TOOL BOX

48-22-8444



50 LBS
CAPACITY



LOCKING
SECURITY BAR



IMPACT
RESISTANT
BODY





PACKOUT™

MODULAR STORAGE SYSTEM

MULTI-DEPTH 3-DRAWER TOOL BOX

48-22-8447



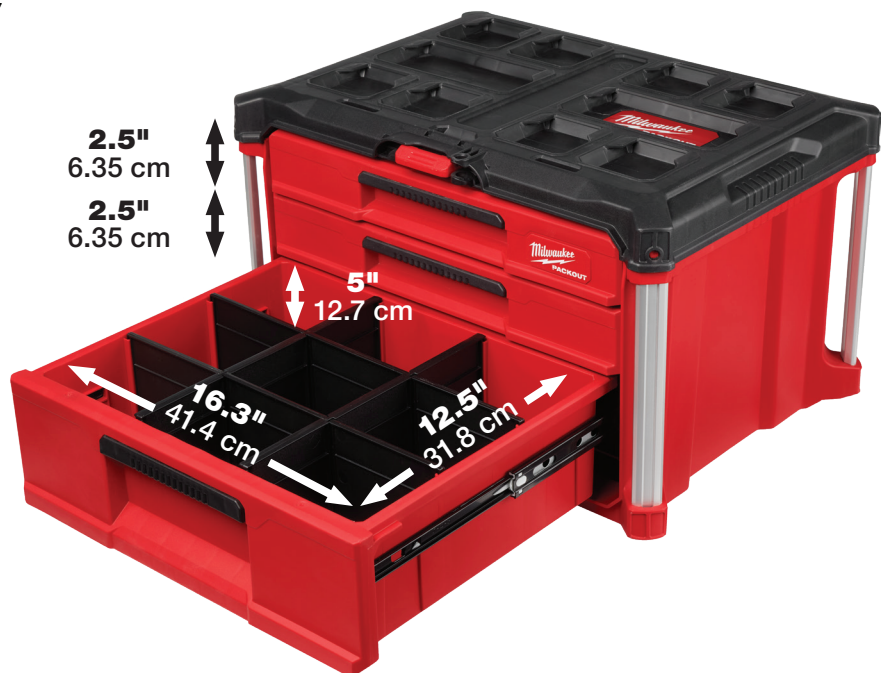
50 LBS
CAPACITY



LOCKING
SECURITY BAR



IMPACT
RESISTANT
BODY





PACKOUT™

MODULAR STORAGE SYSTEM

3-DRAWER TOOL BOX

48-22-8443



50 LBS
CAPACITY



LOCKING
SECURITY BAR



IMPACT
RESISTANT
BODY





PACKOUT™

MODULAR STORAGE SYSTEM

2-DRAWER TOOL BOX

48-22-8442



50 LBS
CAPACITY



LOCKING
SECURITY BAR



IMPACT
RESISTANT
BODY





PACKOUT™

MODULAR STORAGE SYSTEM

COMPACT TOOL BOX

48-22-8422



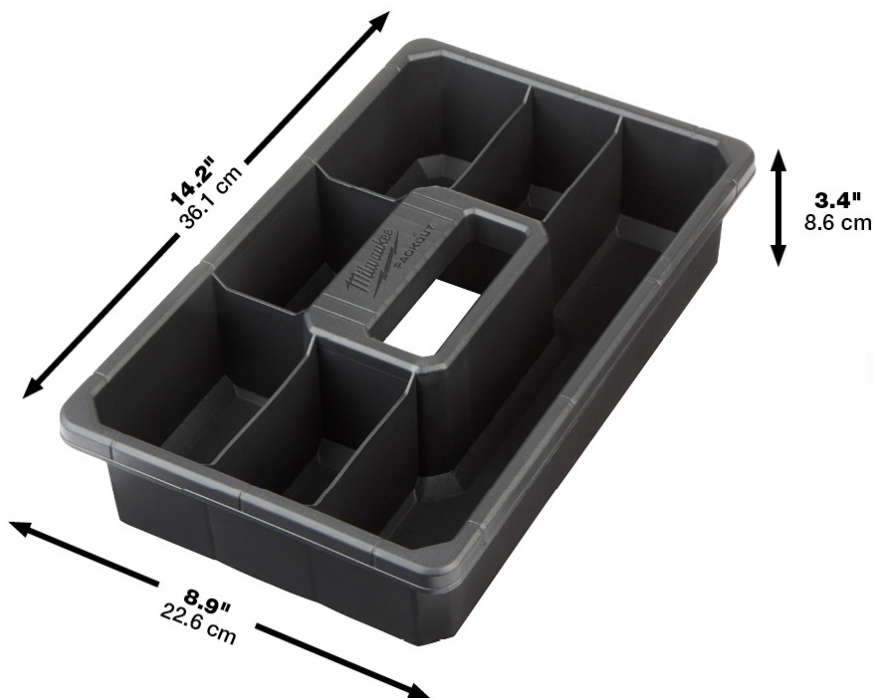
**IMPACT
RESISTANT
BODY**



**IP65
RATED
PROTECTION**



**QUICK-
ADJUST
DIVIDERS**





PACKOUT™

MODULAR STORAGE SYSTEM

CRATE

48-22-8440



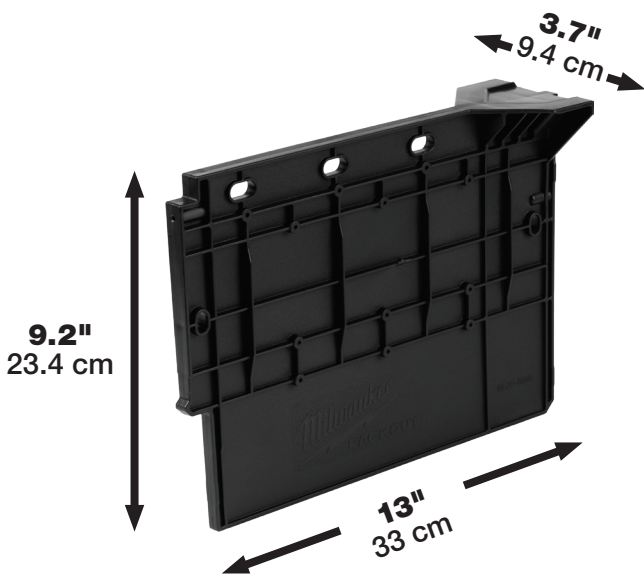
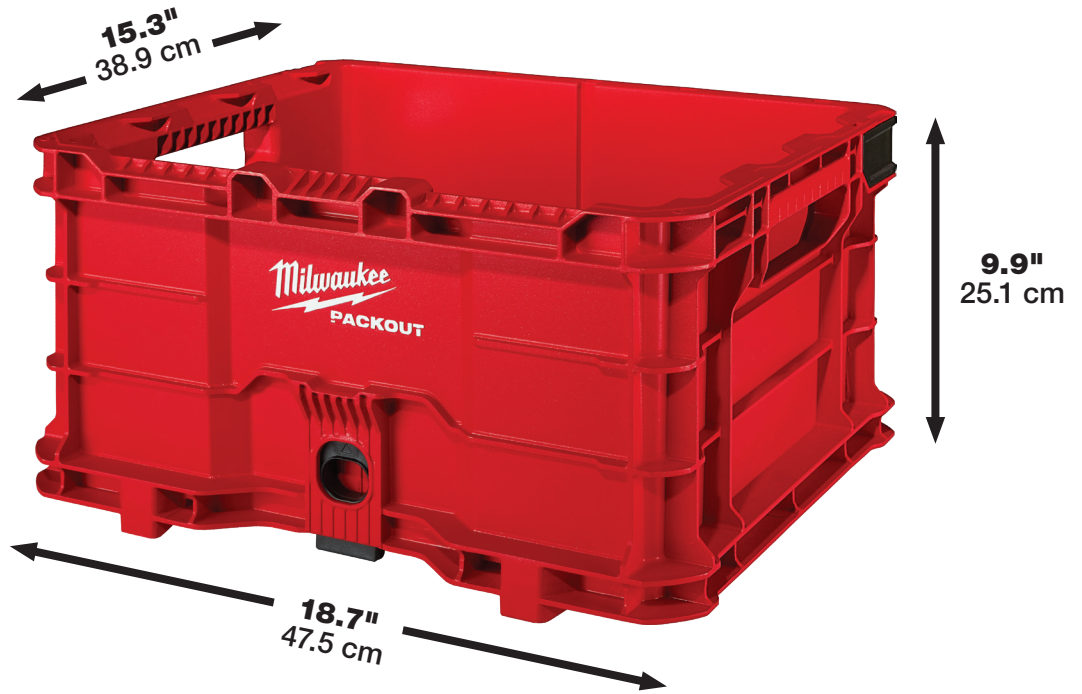
**STACK
OR HANG**



**IMPACT
RESISTANT
BODY**



**50 LBS
CAPACITY**



Divider
48-22-8040





PACKOUT™

MODULAR STORAGE SYSTEM

TOOL TRAY

48-22-8045



**STACK
OR STORE**



**QUICK-
ADJUST
DIVIDERS**



**25 LBS
CAPACITY**





PACKOUT™

MODULAR STORAGE SYSTEM

DEEP ORGANIZER

48-22-8432



50 LBS
CAPACITY



IP65
RATED
PROTECTION



**QUICK-
ADJUST**
DIVIDERS





PACKOUT™

MODULAR STORAGE SYSTEM

ORGANIZER

48-22-8430



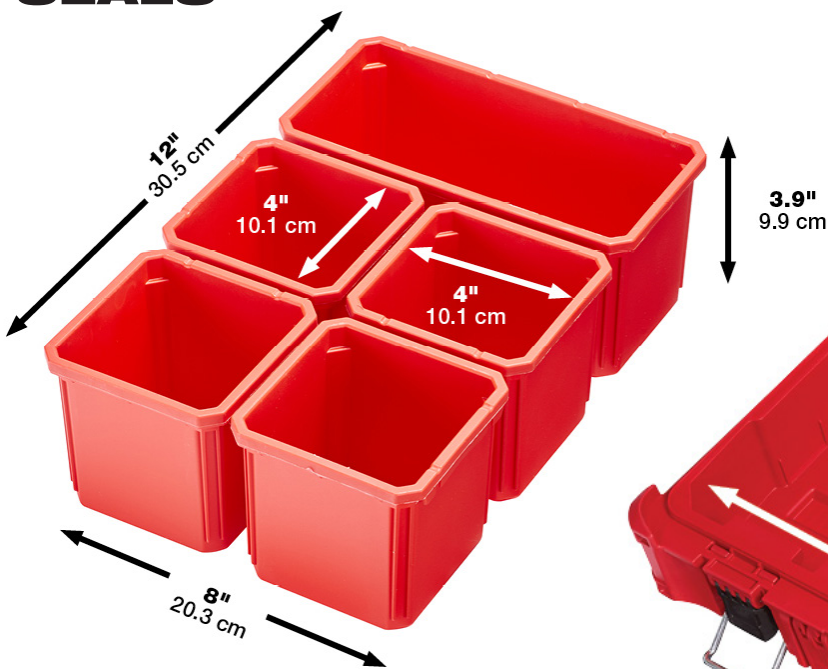
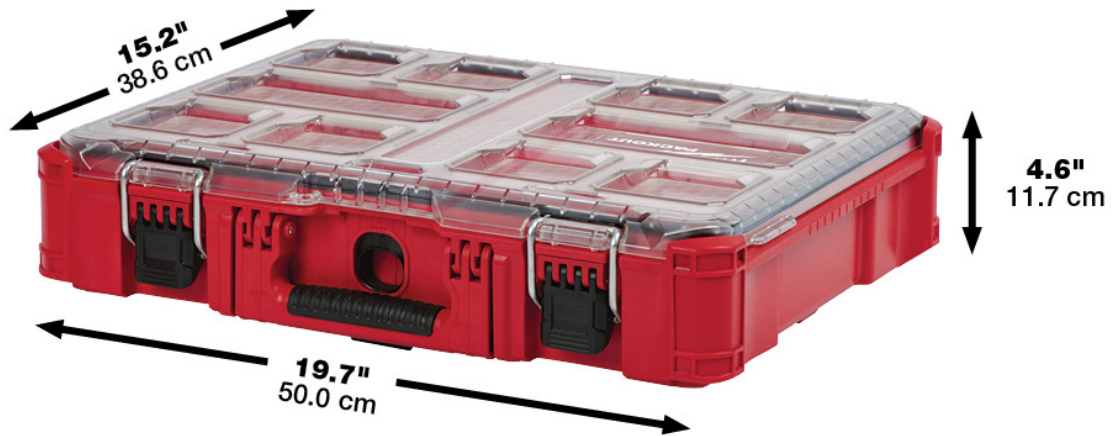
**IMPACT
RESISTANT
BODY**



**IP65
RATED
PROTECTION**



**NO-
TRAVEL BIN
SEALS**





PACKOUT™ MODULAR STORAGE SYSTEM

LOW-PROFILE ORGANIZER

48-22-8431



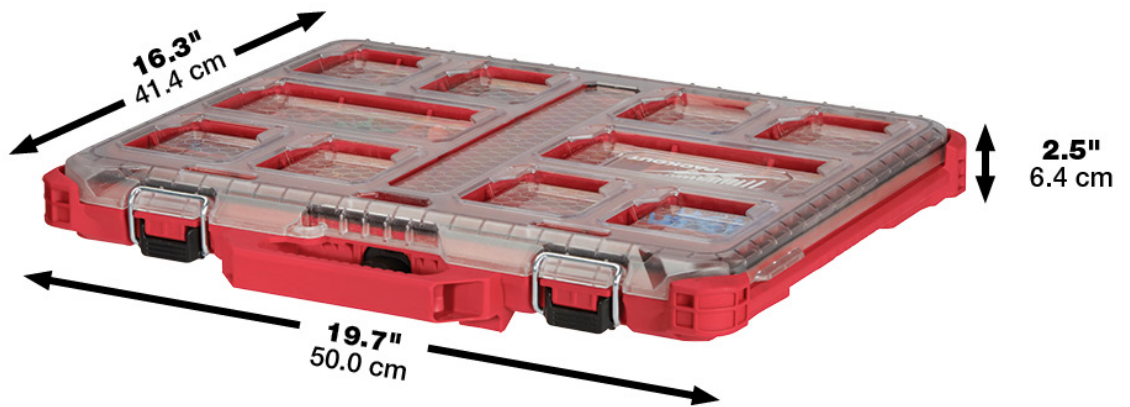
**IMPACT
RESISTANT
BODY**



**IP65
RATED
PROTECTION**



**NO-
TRAVEL BIN
SEALS**





PACKOUT™

MODULAR STORAGE SYSTEM

COMPACT ORGANIZER

48-22-8435



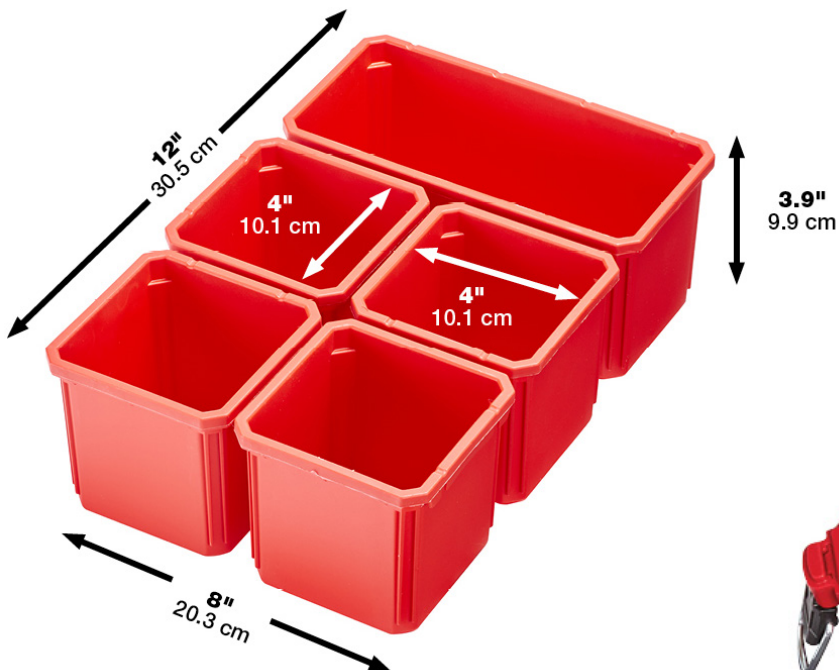
**IMPACT
RESISTANT
BODY**



**IP65
RATED
PROTECTION**



**NO-
TRAVEL BIN
SEALS**





PACKOUT™

MODULAR STORAGE SYSTEM

LOW-PROFILE COMPACT ORGANIZER

48-22-8436



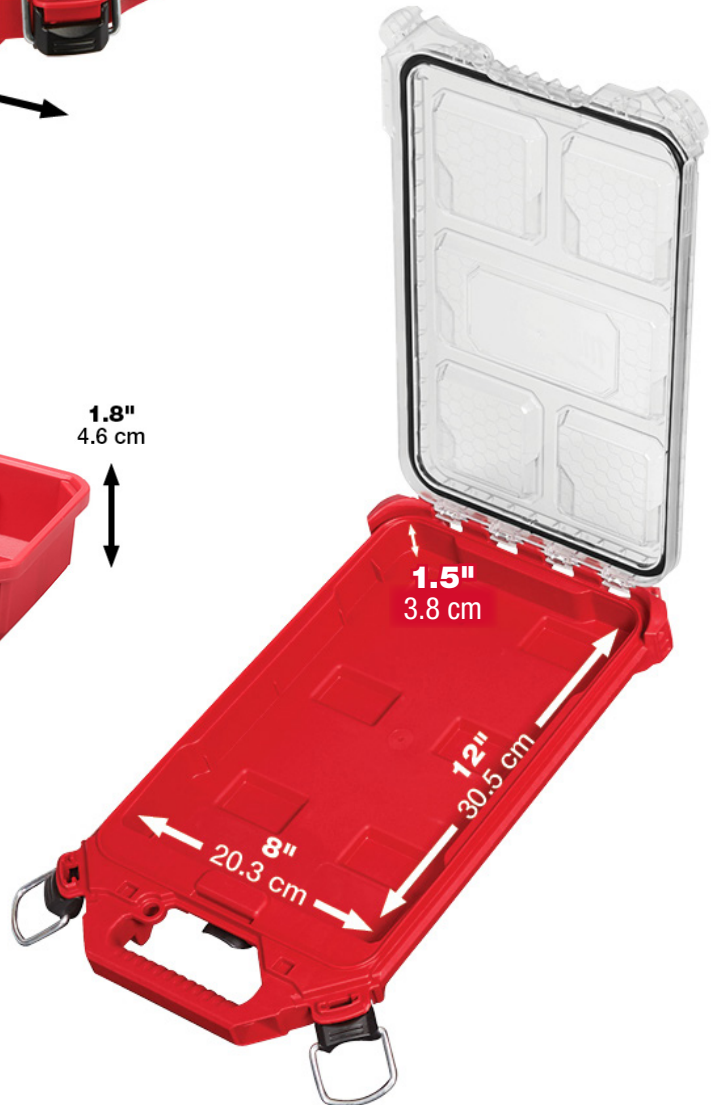
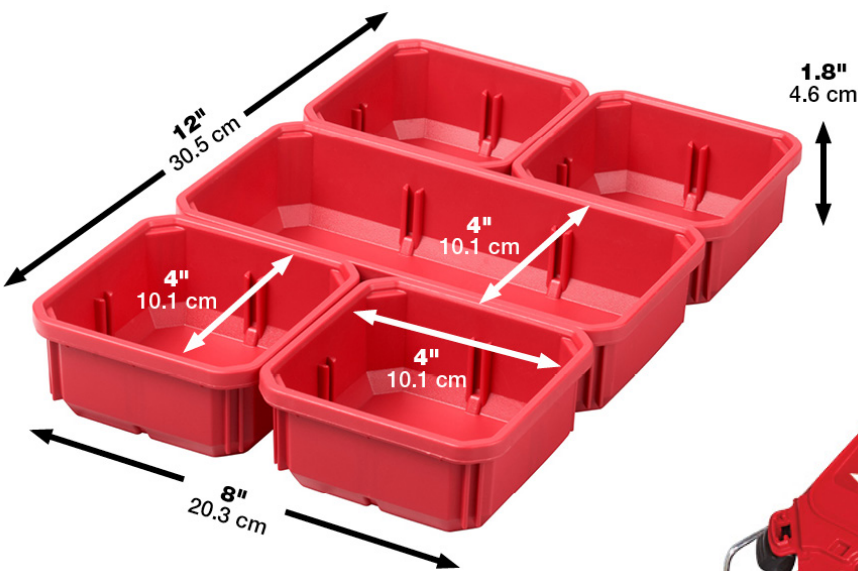
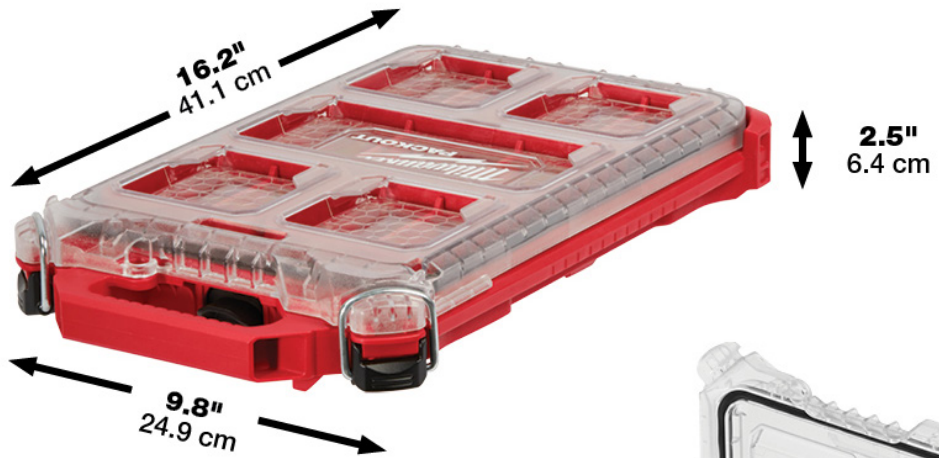
**IMPACT
RESISTANT
BODY**



**IP65
RATED
PROTECTION**



**NO-
TRAVEL BIN
SEALS**





PACKOUT™

MODULAR STORAGE SYSTEM

10" STRUCTURED TOTE

48-22-8311



TEAR-RESISTANT LAYERED MATERIAL



REINFORCED STRUCTURE HOLDS SHAPE



50 LBS CAPACITY



19"
48.3 cm

15"
38.1 cm

9.8"
24.9 cm



PACKOUT™

MODULAR STORAGE SYSTEM

15" STRUCTURED TOOL BAG

48-22-8316



TEAR-RESISTANT LAYERED MATERIAL



REINFORCED STRUCTURE HOLDS SHAPE



50 LBS CAPACITY





PACKOUT™

MODULAR STORAGE SYSTEM

20" TOTE

48-22-8320



TEAR-RESISTANT MATERIAL



OPTIMIZED STORAGE CAPACITY



ALL-METAL HARDWARE





PACKOUT™

MODULAR STORAGE SYSTEM

15" TOTE

48-22-8315



TEAR-RESISTANT MATERIAL



OPTIMIZED STORAGE CAPACITY



ALL-METAL HARDWARE





PACKOUT™

MODULAR STORAGE SYSTEM

10" TOTE

48-22-8310



TEAR-RESISTANT MATERIAL



OPTIMIZED STORAGE CAPACITY



ALL-METAL HARDWARE





PACKOUT™

MODULAR STORAGE SYSTEM

20" TOOL BAG

48-22-8322



TEAR-RESISTANT MATERIAL



IMPACT RESISTANT BASE



ALL-METAL HARDWARE





PACKOUT™

MODULAR STORAGE SYSTEM

15" TOOL BAG

48-22-8321



TEAR-RESISTANT MATERIAL



IMPACT RESISTANT BASE



ALL-METAL HARDWARE





PACKOUT™

MODULAR STORAGE SYSTEM

BACKPACK

48-22-8301



TEAR-RESISTANT MATERIAL



IMPACT RESISTANT BASE



OPTIMIZED STORAGE CAPACITY





PACKOUT™

MODULAR STORAGE SYSTEM

TECH BAG

48-22-8300



TEAR-RESISTANT MATERIAL



IMPACT RESISTANT BASE



OPTIMIZED STORAGE CAPACITY





PACKOUT™ MODULAR STORAGE SYSTEM

TUMBLERS



**PACKOUT™
CONNECTIVITY
TWIST TO LOCK**



**ALL-DAY
HOT & COLD
RETENTION**



**SMOOTH
OPEN &
CLOSE**

4"
10.2 cm



8.5"
21.6 cm

3"
7.6 cm

30oz Tumbler - Red
48-22-8393R

3.5"
8.9 cm



7.5"
19.1 cm

3"
7.6 cm

20oz Tumbler - Red
48-22-8392R

4"
10.2 cm



8.5"
21.6 cm

3"
7.6 cm

30oz Tumbler - Black
48-22-8393B

3.5"
8.9 cm



7.5"
19.1 cm

3"
7.6 cm

20oz Tumbler - Black
48-22-8392B



PACKOUT™

MODULAR STORAGE SYSTEM

40qt XL COOLER

48-22-8462



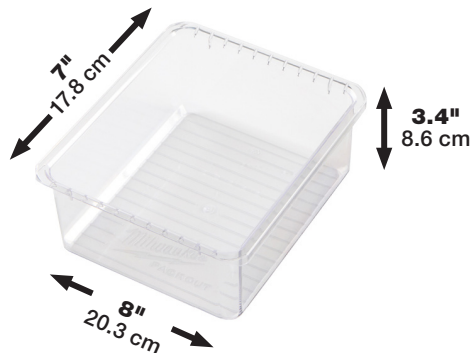
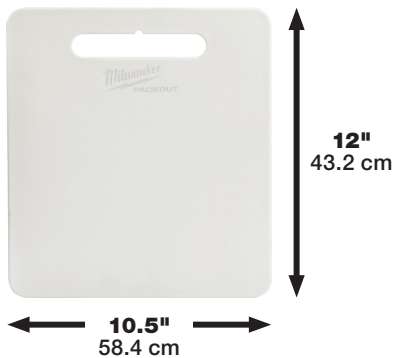
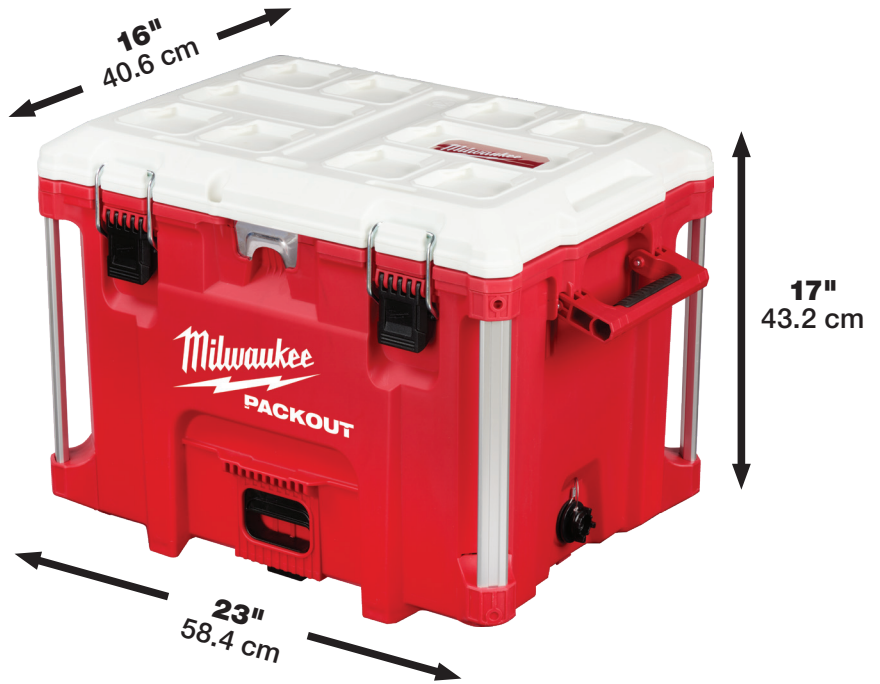
**HOLDS
ICE FOR
5 DAYS**



**IMPACT
RESISTANT
BODY**



**IP65
RATED
PROTECTION**



Divider
48-22-8041



PACKOUT™

MODULAR STORAGE SYSTEM

16QT COMPACT COOLER

48-22-8460



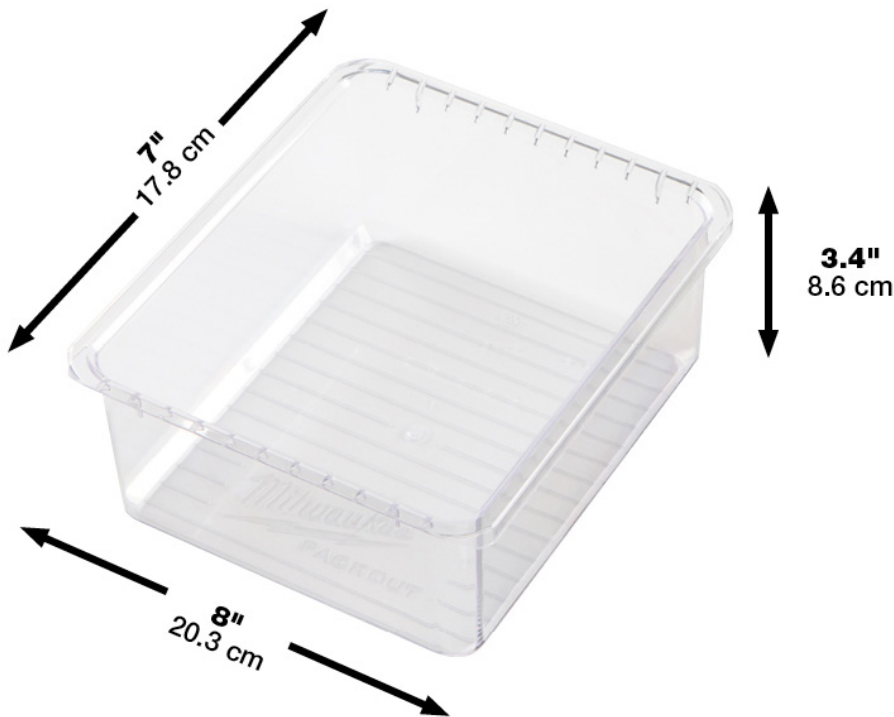
**HOLDS
ICE FOR
30
HRS**



**IMPACT
RESISTANT
BODY**



**IP65
RATED
PROTECTION**





PACKOUT™

MODULAR STORAGE SYSTEM

COOLER

48-22-8302



HOLDS
ICE FOR
24 HRS



IMPACT
RESISTANT
BASE



ALL-
METAL
HARDWARE





PACKOUT™

MODULAR STORAGE SYSTEM

LARGE WALL PLATE

48-22-8487



**QUICK
ALIGNMENT
TABS**



**METAL-
REINFORCED
MOUNTING
POINTS**



**150 LBS
WALL MOUNTED
CAPACITY**





PACKOUT™

MODULAR STORAGE SYSTEM

COMPACT WALL PLATE

48-22-8486



**QUICK
ALIGNMENT
TABS**



**METAL-
REINFORCED
MOUNTING
POINTS**



**50 LBS
WALL MOUNTED
CAPACITY**





PACKOUT™

MODULAR STORAGE SYSTEM

MOUNTING PLATE

48-22-8485



**WALL &
FLOOR
MOUNTING**



**50 LBS
WALL MOUNTED
CAPACITY**



**METAL-
REINFORCED
MOUNTING
POINTS**





PACKOUT™

MODULAR STORAGE SYSTEM

RACKING KIT

48-22-8480



VERSATILE MOUNTING
E-TRACK
COMPATIBLE



50 LBS
CAPACITY



METAL-REINFORCED FRAME





PACKOUT™

MODULAR STORAGE SYSTEM

CUSTOMIZABLE WORK TOP

48-22-8488



FASTENER-READY
MOUNTING SURFACE



50 LBS
CAPACITY



IMPACT
RESISTANT
BODY





PACKOUT™

MODULAR STORAGE SYSTEM

RACKING SHELF

48-22-8481



VERSATILE MOUNTING
E-TRACK
COMPATIBLE



50 LBS
CAPACITY



METAL-REINFORCED FRAME





PACKOUT™

MODULAR STORAGE SYSTEM

HOOKS



**MOST
SECURE
MOUNTING**



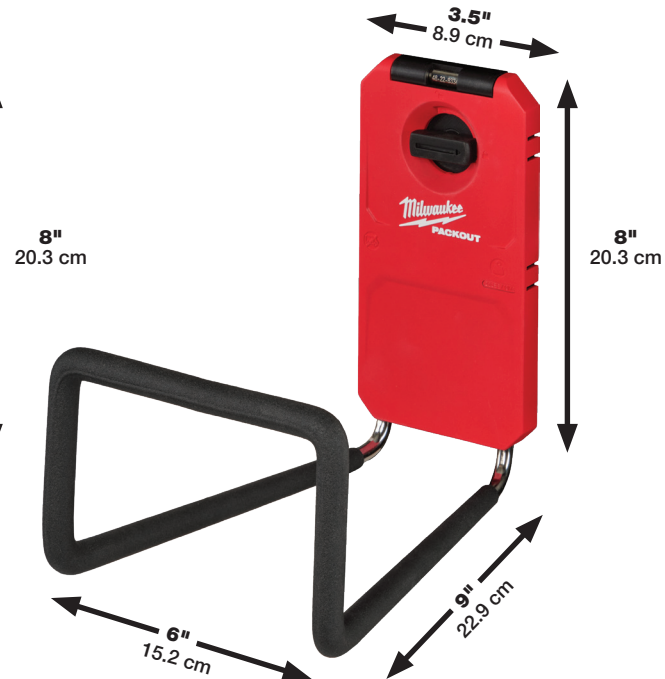
**REINFORCED
HOOK
MAINTAINS SHAPE**



**FULLY
CUSTOMIZE
YOUR SHOP**



9" Straight Hook
48-22-8330



Wide Hook
48-22-8332



6" Curved Hook
48-22-8331



4" S-Hook
48-22-8333



PACKOUT™

MODULAR STORAGE SYSTEM

HOOKS



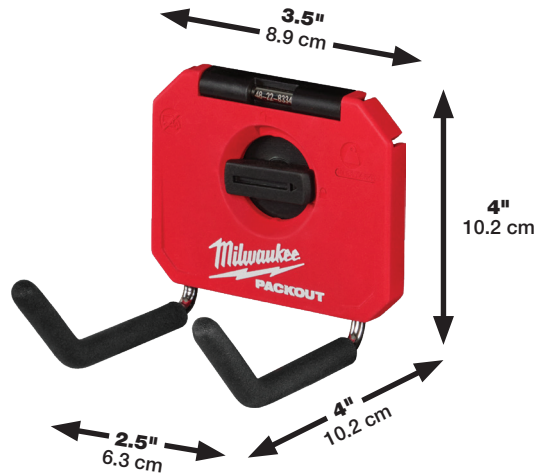
**MOST
SECURE
MOUNTING**



**REINFORCED
HOOK
MAINTAINS SHAPE**



**FULLY
CUSTOMIZE
YOUR SHOP**



4" Straight Hook
48-22-8334



3" Curved Hook
48-22-8335



4" Single Straight Hook
48-22-8328



7-Hook Rack
48-22-8329



PACKOUT™

MODULAR STORAGE SYSTEM

TOOL STATION

48-22-8343



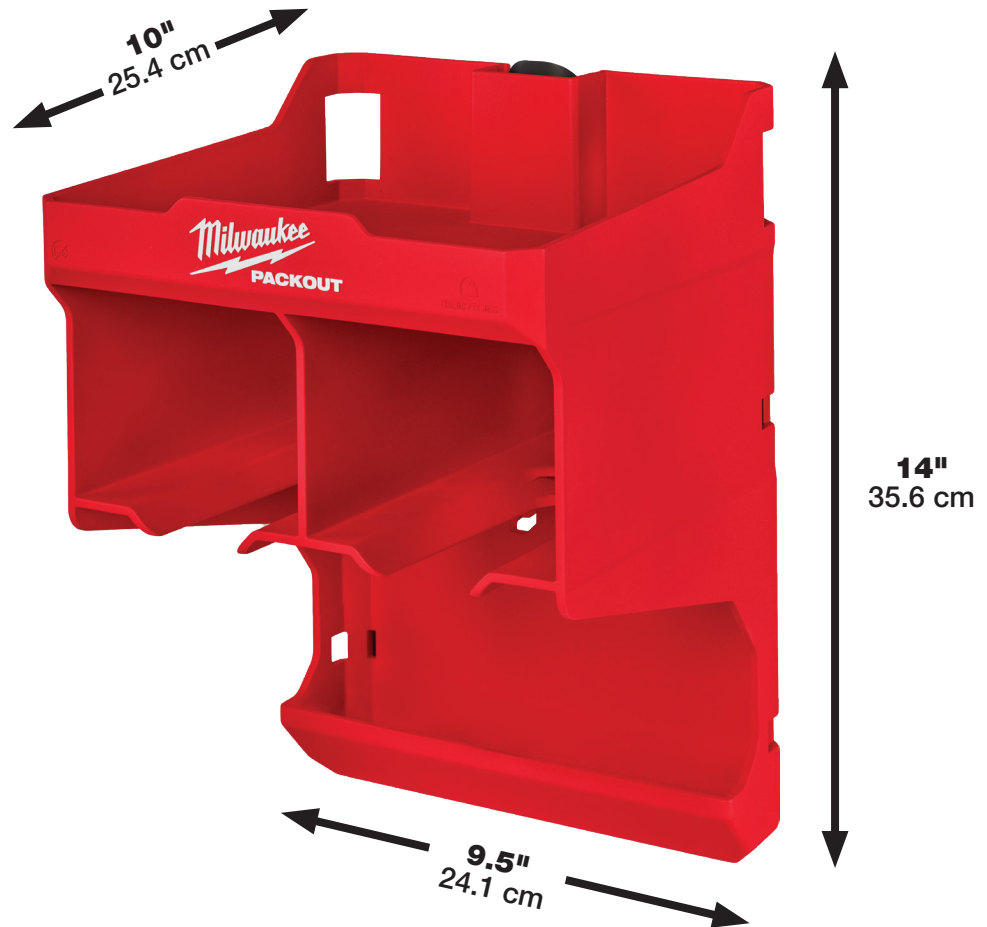
**MOST
SECURE
MOUNTING**



**QUICK
ACCESS
TOOL SLOTS**



**IMPACT
RESISTANT
BODY**





PACKOUT™

MODULAR STORAGE SYSTEM

LONG HANDLE TOOL RACK

48-22-8349



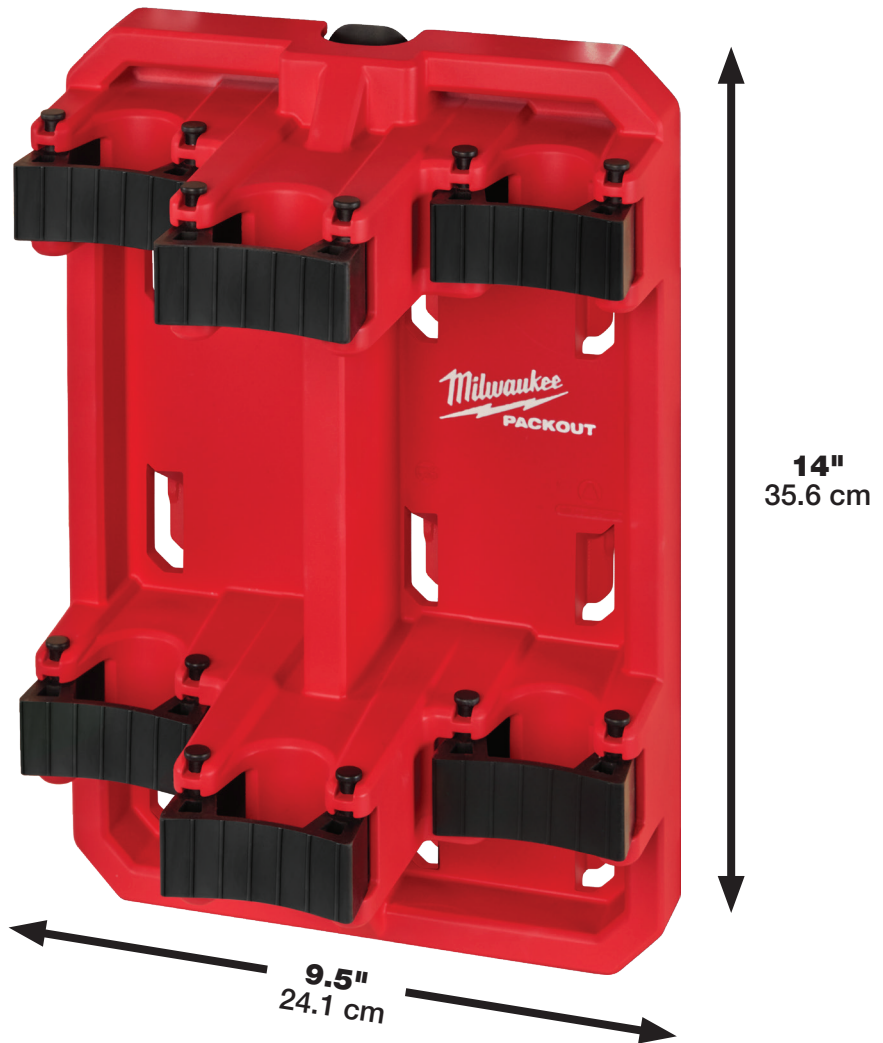
**MOST
SECURE
MOUNTING**



**QUICK
ACCESS
TOOL CLAMPS**



**ANTI-SLIP
RUBBER
GRIPS**





PACKOUT™

MODULAR STORAGE SYSTEM

LONG HANDLE TOOL HOLDER

48-22-8348



**MOST
SECURE
MOUNTING**



**QUICK
ACCESS
TOOL CLAMPS**



**ANTI-SLIP
RUBBER
GRIPS**





PACKOUT™

MODULAR STORAGE SYSTEM

M18™ BATTERY RACK

48-22-8339



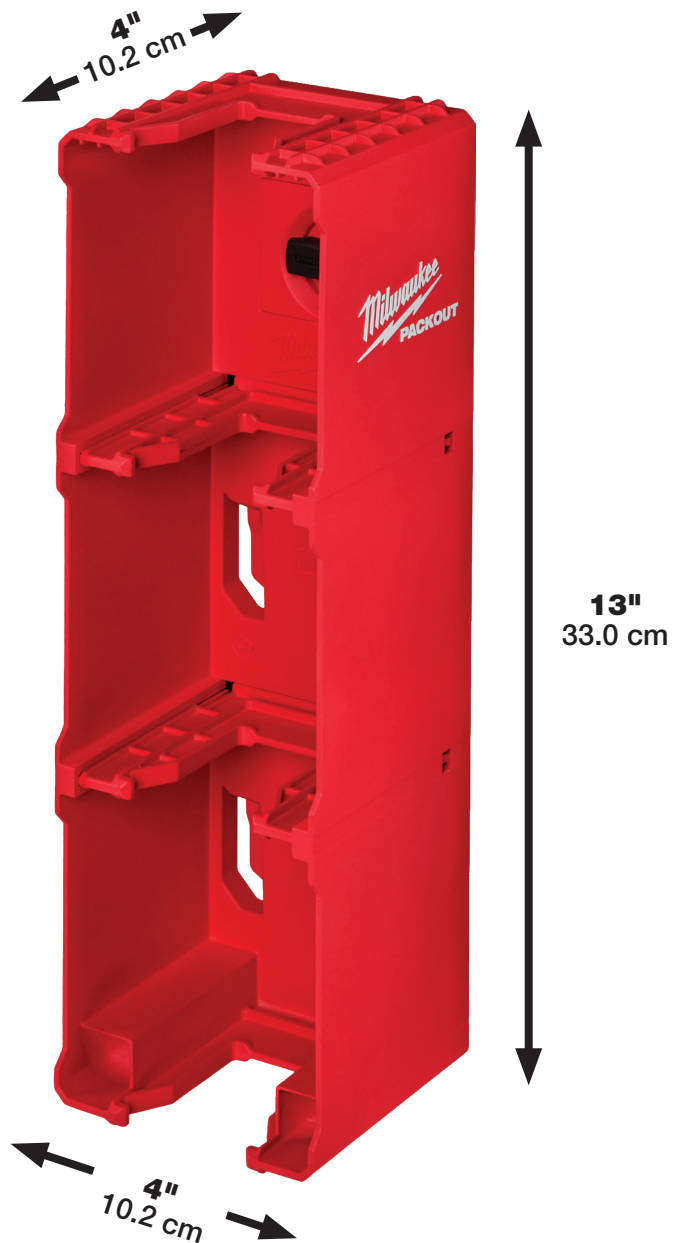
**MOST
SECURE
MOUNTING**



**CLIP-IN
BATTERY
STORAGE**



**FULLY
CUSTOMIZE
YOUR SHOP**





PACKOUT™

MODULAR STORAGE SYSTEM

M12™ BATTERY RACK

48-22-8338



**MOST
SECURE
MOUNTING**



**CLIP-IN
BATTERY
STORAGE**



**FULLY
CUSTOMIZE
YOUR SHOP**





PACKOUT™

MODULAR STORAGE SYSTEM

TOOL RACK

48-22-8340



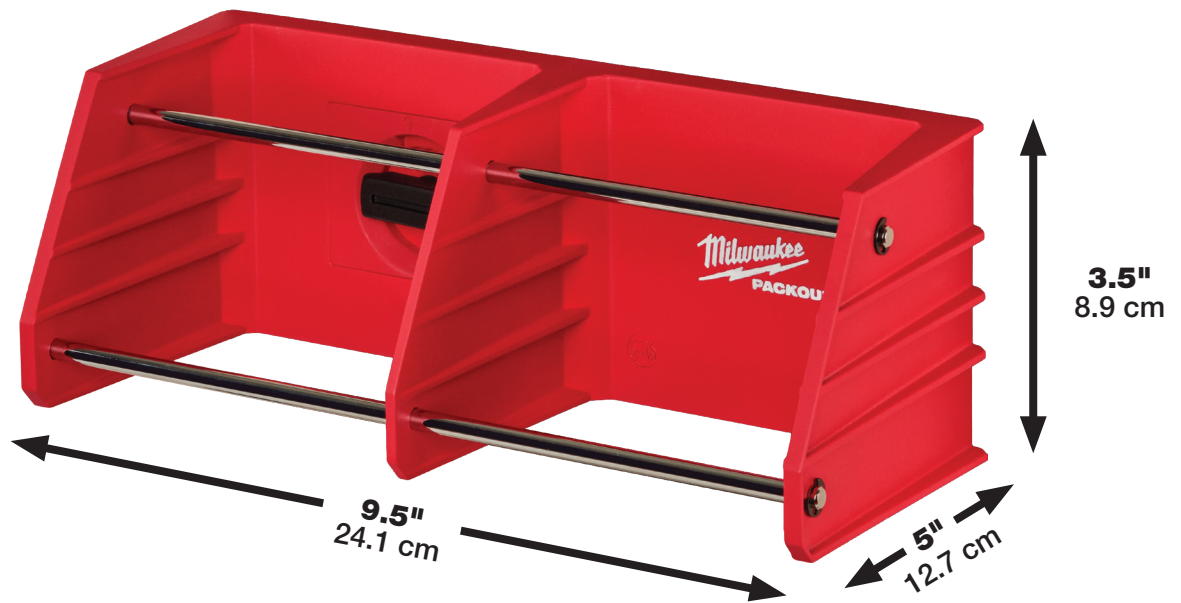
**MOST
SECURE
MOUNTING**



**QUICK
ACCESS
BARS**



**FULLY
CUSTOMIZE
YOUR SHOP**





PACKOUT™

MODULAR STORAGE SYSTEM

SCREWDRIVER RACK

48-22-8341



**MOST
SECURE
MOUNTING**



**34
MULTI-SIZE
SLOTS**



**FULLY
CUSTOMIZE
YOUR SHOP**





PACKOUT™

MODULAR STORAGE SYSTEM

MAGNETIC RACK

48-22-8346



**MOST
SECURE
MOUNTING**



**3
MAGNETIC
FACES**



**QUICK
ACCESS
ORGANIZATION**

4"
10.2 cm



3.5"
8.9 cm

9.5"
24.1 cm



PACKOUT™

MODULAR STORAGE SYSTEM

BELT CLIP RACK

48-22-8344



**MOST
SECURE
MOUNTING**



**REINFORCED
RACK
MAINTAINS SHAPE**



**QUICK
ACCESS
ORGANIZATION**

1.3"
3.3 cm



3.5"
8.9 cm

9.5"
24.1 cm



PACKOUT™

MODULAR STORAGE SYSTEM

ROLL HOLDER

48-22-8337



**MOST
SECURE
MOUNTING**



**QUICK
ROLL REPLACEMENT
LATCH**



**FULLY
CUSTOMIZE
YOUR SHOP**





PACKOUT™

MODULAR STORAGE SYSTEM

COMPACT SHELF

48-22-8347



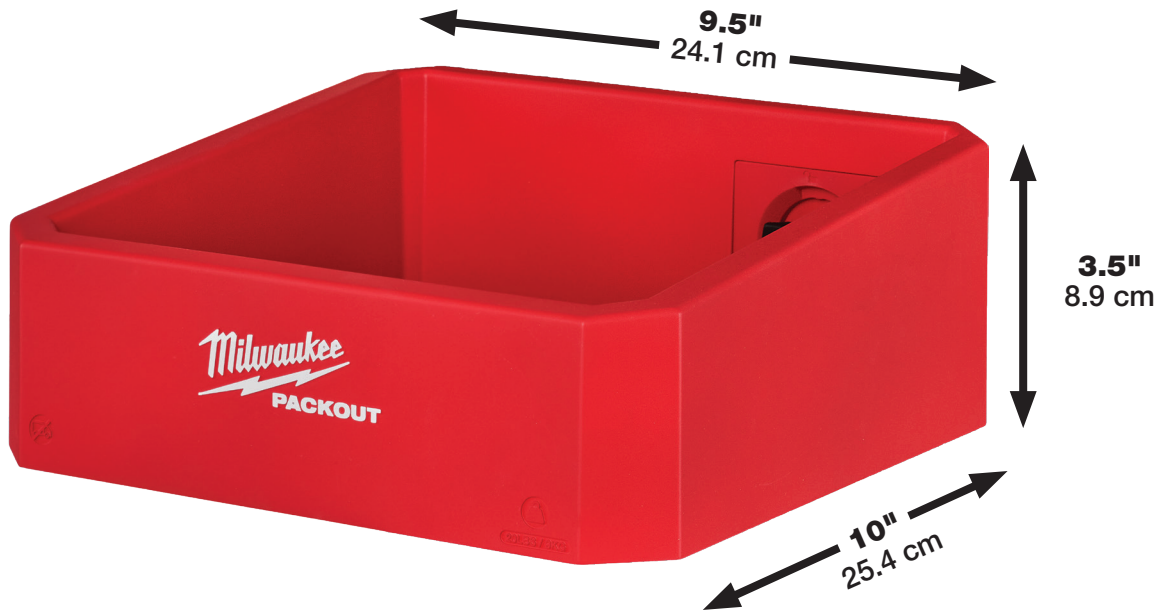
**MOST
SECURE
MOUNTING**



**20 LBS
CAPACITY**



**FULLY
CUSTOMIZE
YOUR SHOP**





PACKOUT™

MODULAR STORAGE SYSTEM

COMPACT WALL BASKET

48-22-8342



**MOST
SECURE
MOUNTING**



**QUICK
ACCESS
OPENING**



**FULLY
CUSTOMIZE
YOUR SHOP**





PACKOUT™

MODULAR STORAGE SYSTEM

ORGANIZER CUP

48-22-8336



**MOST
SECURE
MOUNTING**



**QUICK
ACCESS
ORGANIZATION**



**FULLY
CUSTOMIZE
YOUR SHOP**





PACKOUT™ MODULAR STORAGE SYSTEM

MAGNETIC BINS



**HANG
OR
STORE**



**QUICK
ACCESS
MAGNETIC DISH**



**NON-
MARRING
MAGNETIC BASE**

2"
5.1 cm



4"
10.2 cm

8"
20.3 cm

Large Magnetic Bin
48-22-8071

2"
5.1 cm



4"
10.2 cm

4"
10.2 cm

Magnetic Bin
48-22-8070



PACKOUT™

MODULAR STORAGE SYSTEM

2 PK LARGE BIN SET

48-22-8063



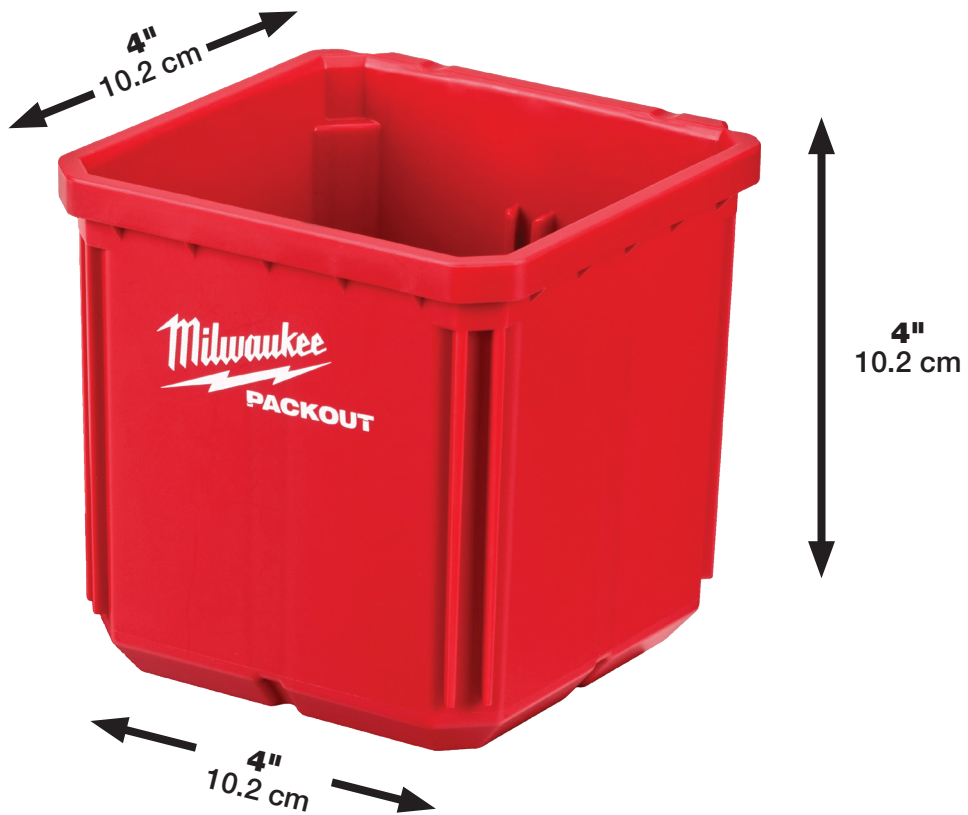


PACKOUT™

MODULAR STORAGE SYSTEM

2 PK BIN SET

48-22-8062





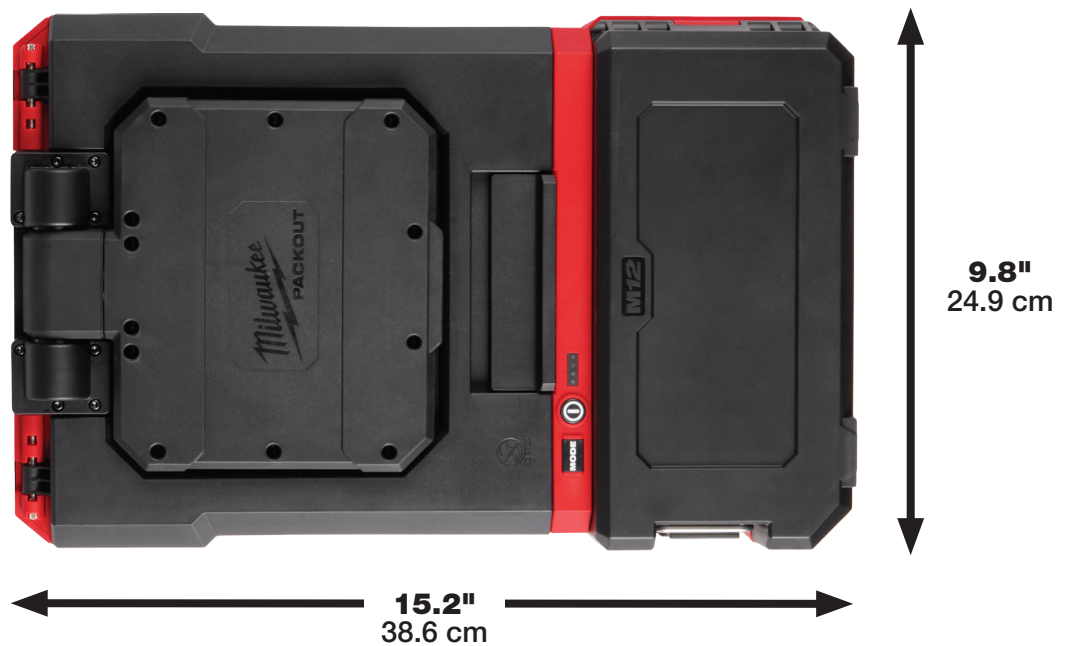
PACKOUT™

MODULAR STORAGE SYSTEM

M12 FLOOD LIGHT w/ USB CHARGING

2356-20

TRUEVIEW™
HIGH DEFINITION OUTPUT





PACKOUT™

MODULAR STORAGE SYSTEM

M18 SIX BAY RAPID CHARGER

48-59-1809

TRUEVIEW™
HIGH DEFINITION OUTPUT





PACKOUT™ MODULAR STORAGE SYSTEM

M18 RADIO + CHARGER

2950-20





PACKOUT™

MODULAR STORAGE SYSTEM

M18 LIGHT/CHARGER

2357-20

TRUEVIEW™
HIGH DEFINITION OUTPUT





PACKOUT™ MODULAR STORAGE SYSTEM

M18 FUEL 2.5 GAL WET/DRY VACUUM

0970-20

